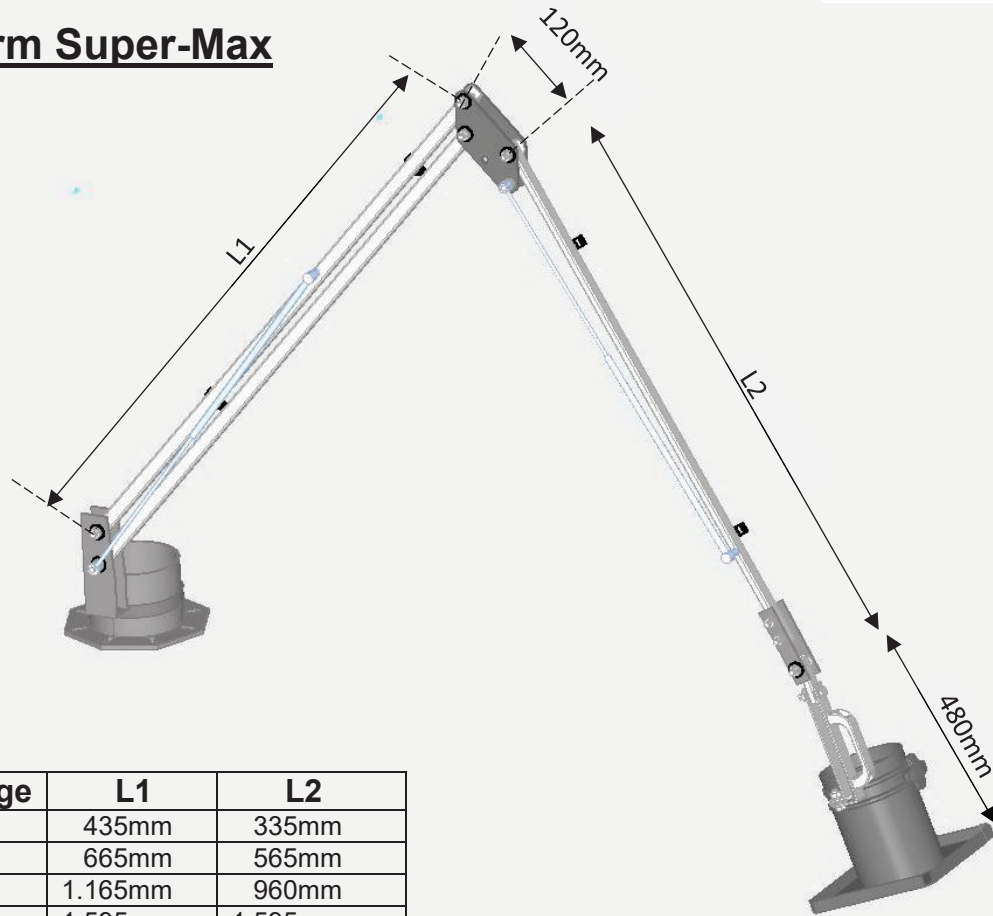
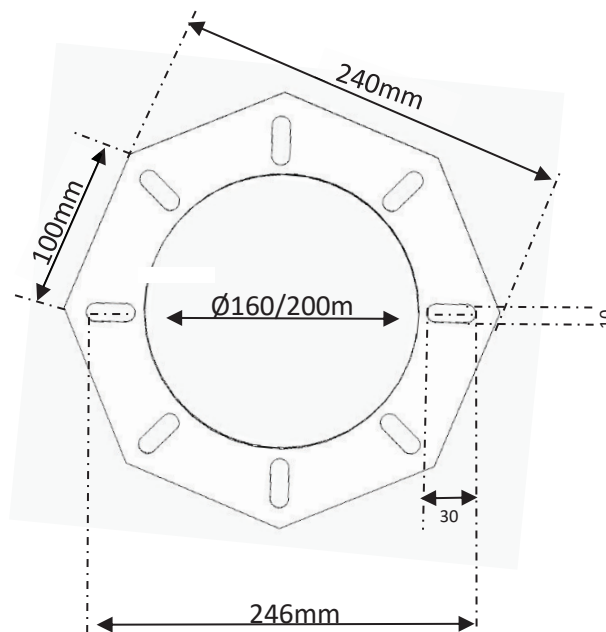


Tisch-Arm Super-Max
Typ SMB

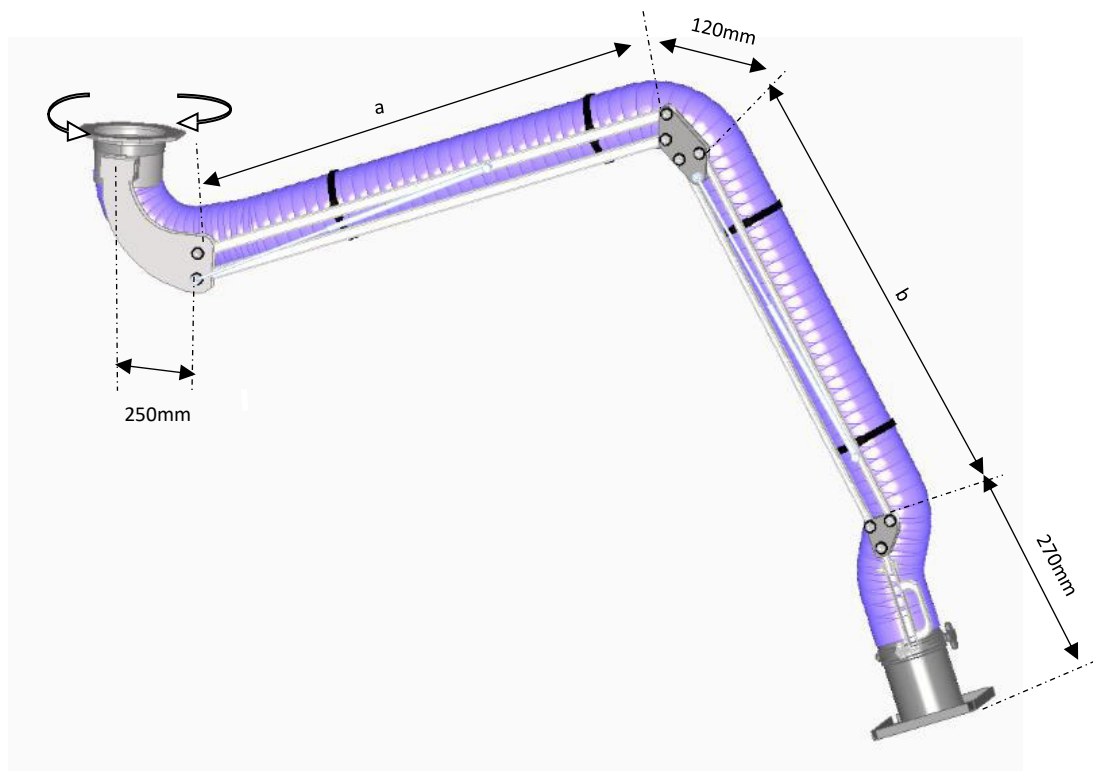


Armlänge	L1	L2
1,5m	435mm	335mm
2,0m	665mm	565mm
3,0m	1.165mm	960mm
4,0m	1.595mm	1.595mm

Lochbild-Drehflansch



SMT



	a	b
SMT 1,5m	435mm	335mm
SMT 2m	665mm	565mm
SMT 3m	1.165mm	960mm
SMT 4m	1.595mm	1.595mm

